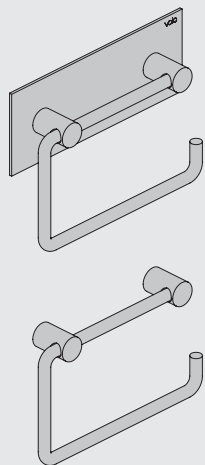


**VOLA T12, T12-BP,  
VOLA T13, T13-BP,  
VOLA T13L, T13L-BP,  
VOLA T15, T15-BP**

Maintenance  
Pfleheinweise  
Vedligeholdelse



www.vola.com

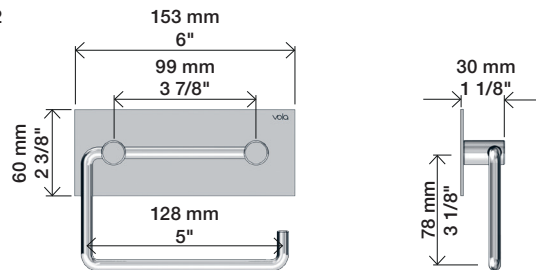
vola

mnt\_T12\_V3\_40999560

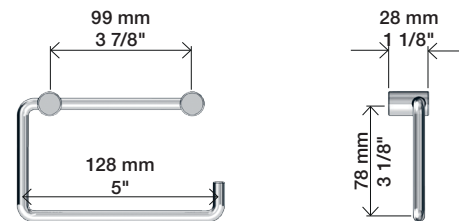


09-04-2024 5 703182 372747

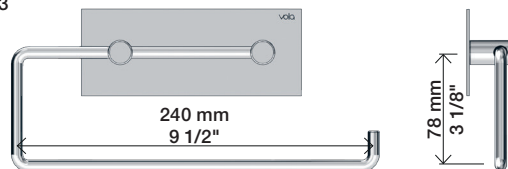
**T12**



**T12-BP**



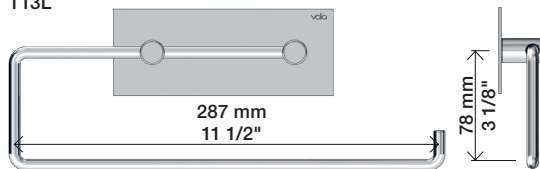
**T13**



**T13-BP**



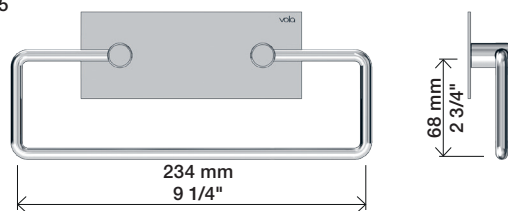
**T13L**



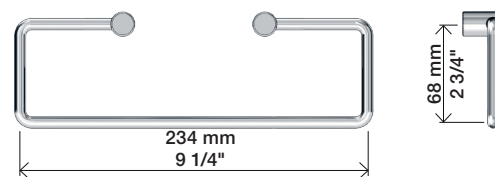
**T13L-BP**



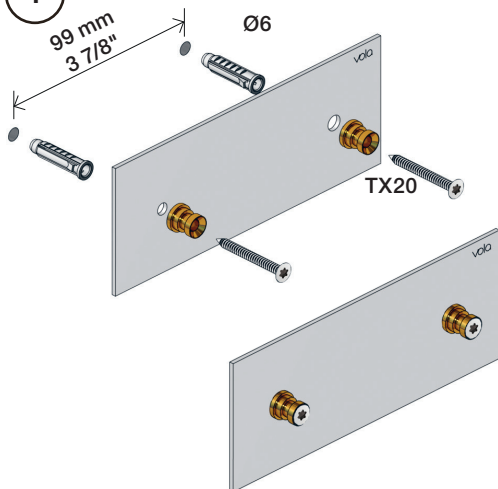
**T15**



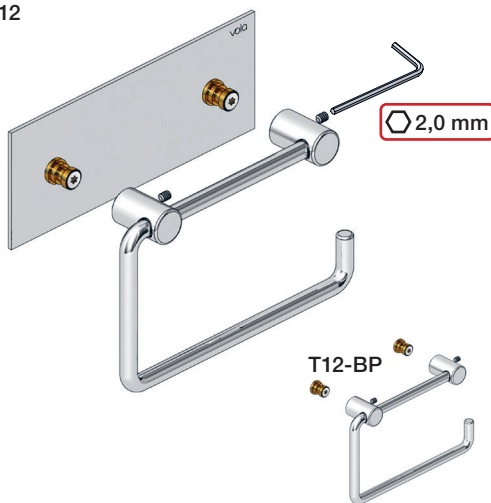
**T15-BP**



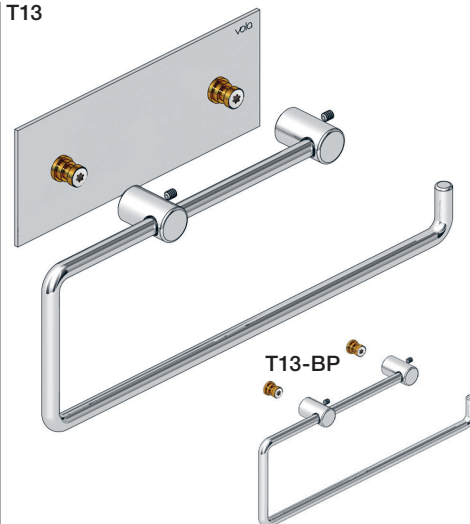
1



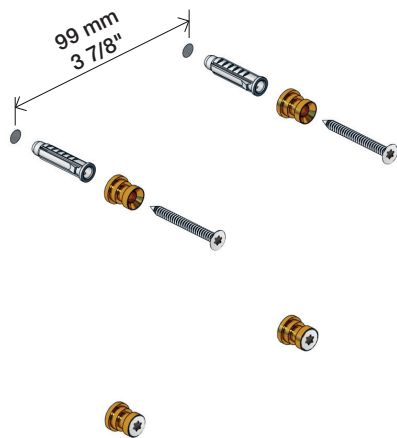
T12



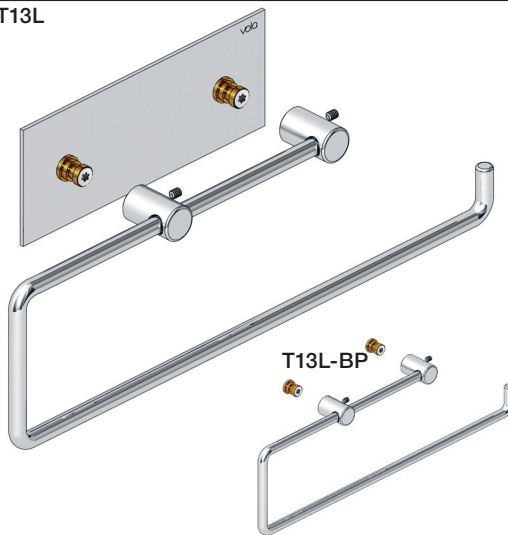
T13



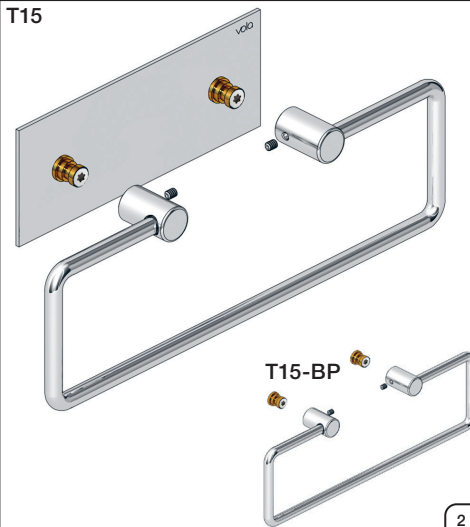
1BP



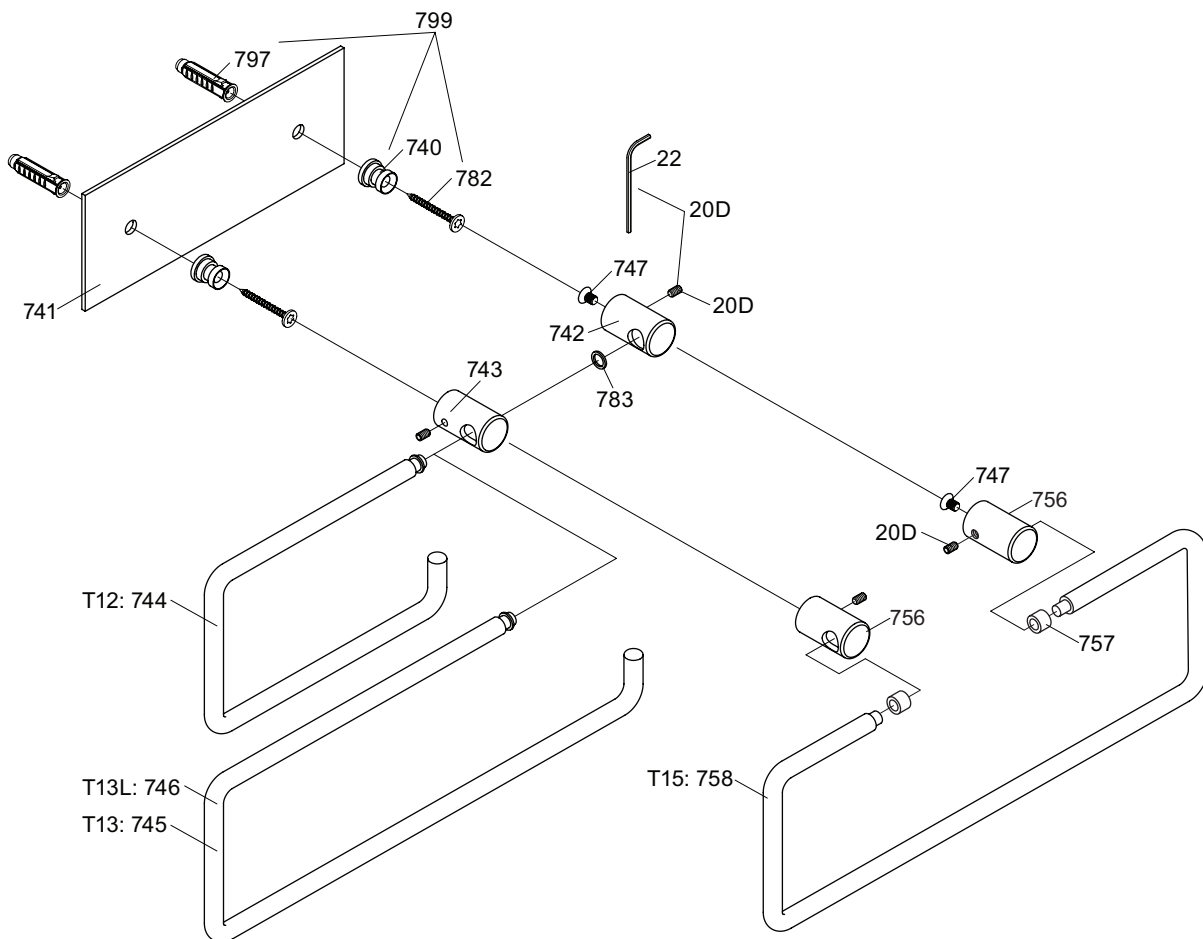
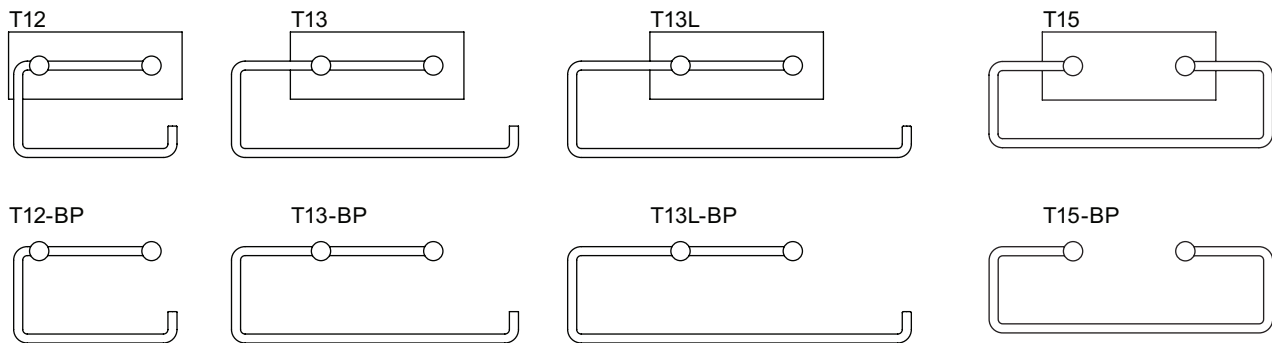
T13L



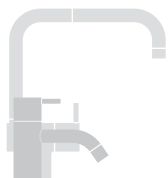
T15



2



VR20D: VR20D, VR22  
 VR799: VR740, VR782, VR797



**vola**  
 Lunavej 2  
 DK-8700 Horsens  
 Tlf : + 45 7023 5500  
 sales@vola.com  
 www.vola.com

# VOLA T12, T13, T15

Date  
 Aug. 24

Rev.  
 2

Sheet  
 SB 42.2