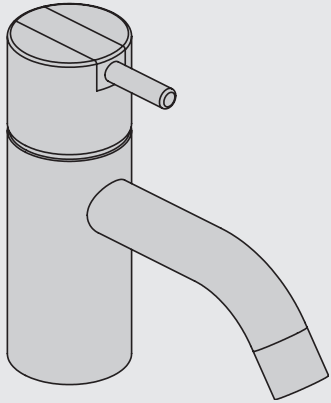


VOLA HV1, HV3, HV4

Fitting instruction
 Montageanleitung
 Monteringsvejledning
 Monteringsvægledning
 Montage hanleiding
 Manuel de montage



HV1, HV3:
 04/00295
 04/00300

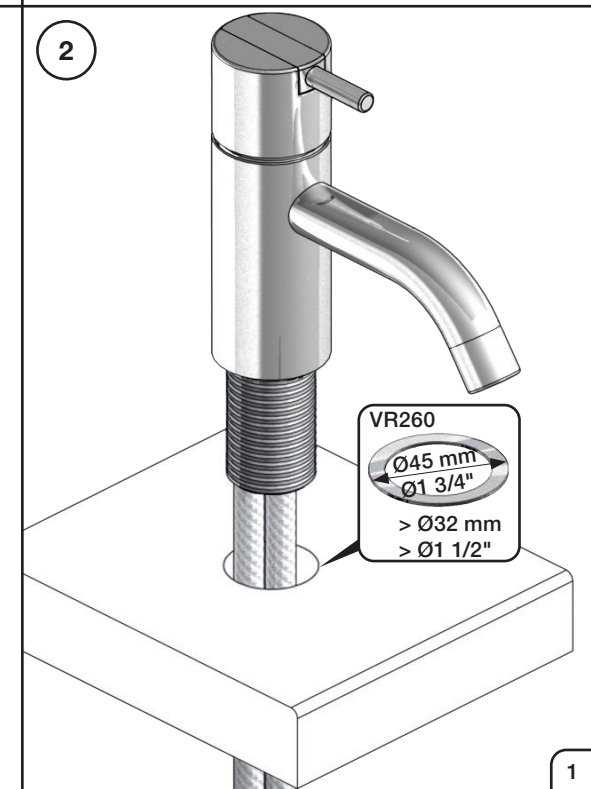
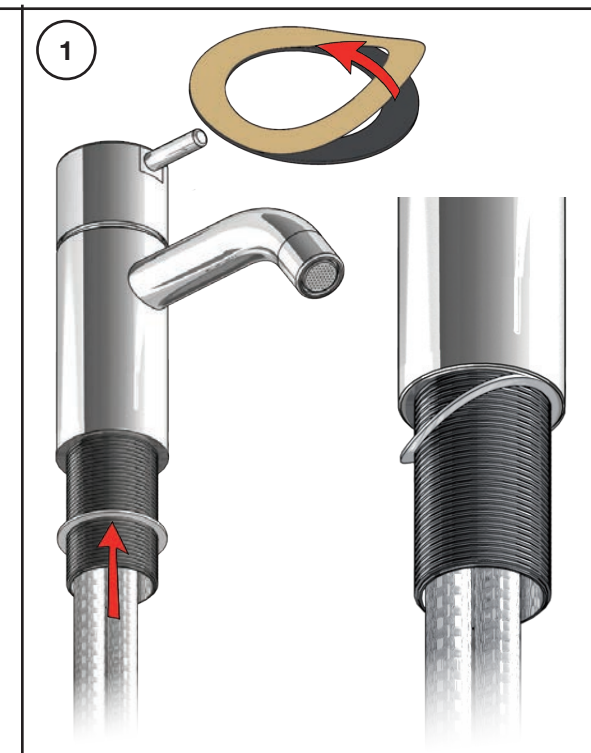
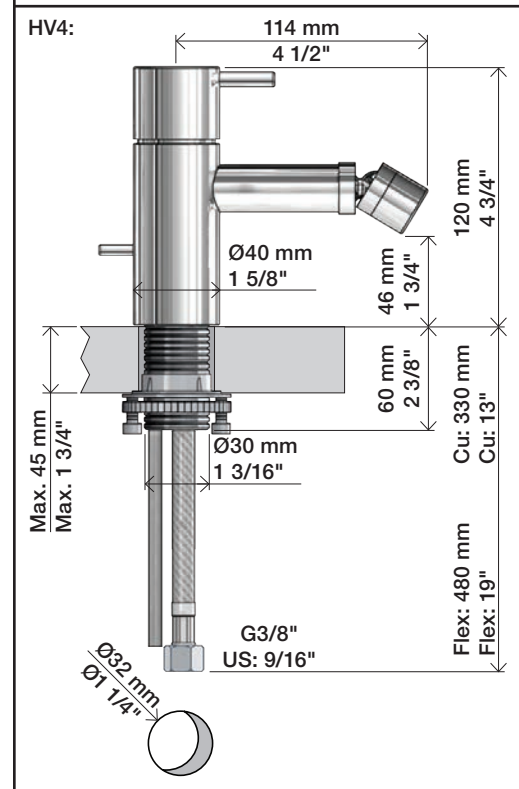
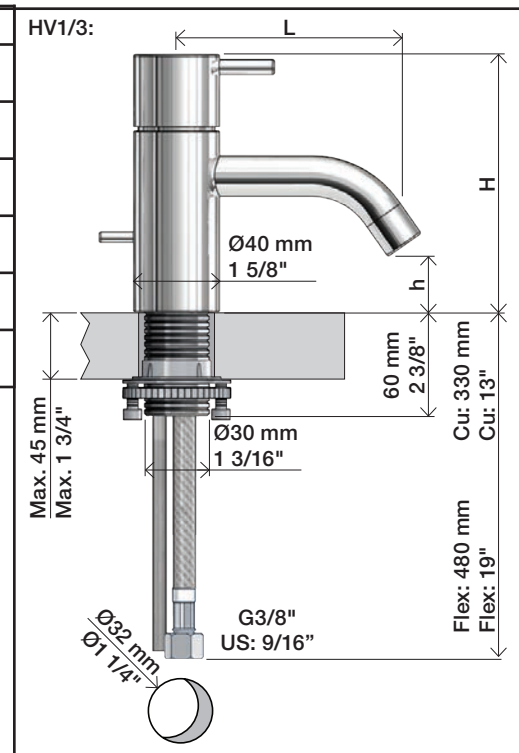
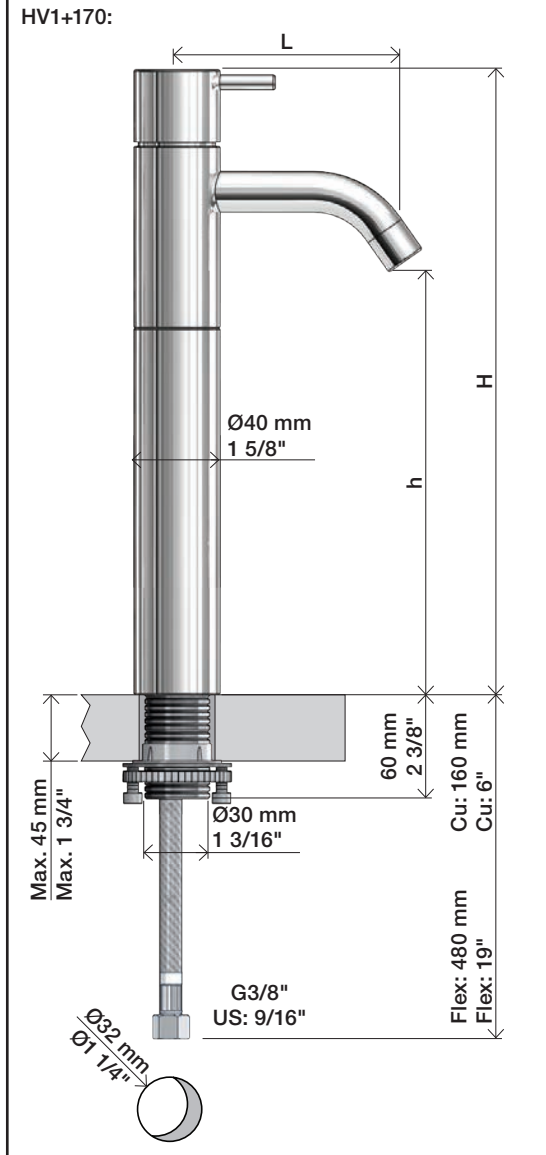


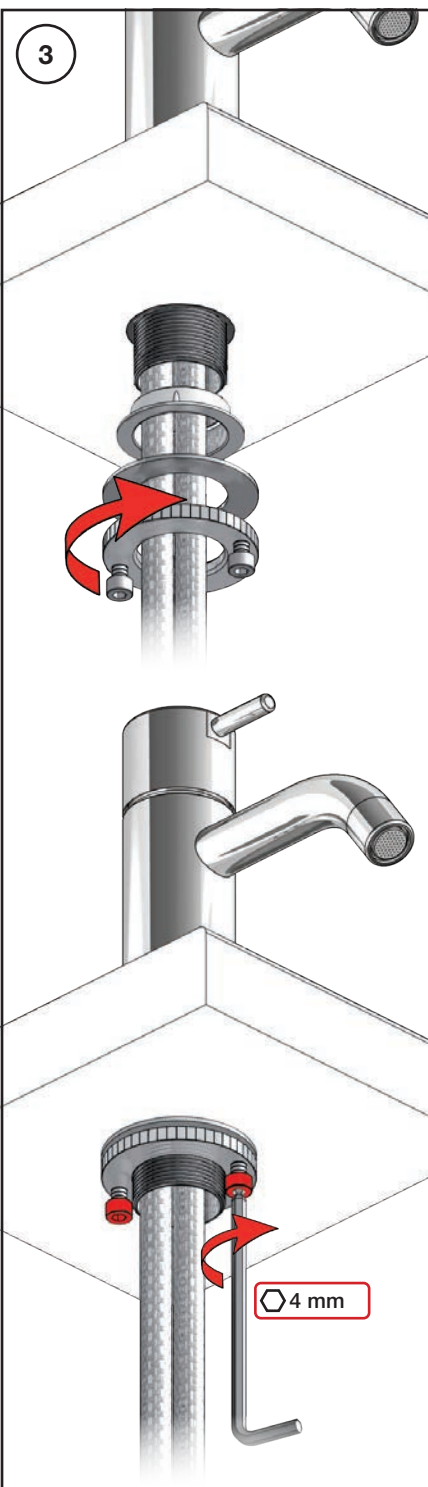
www.vola.com

HV1/HV3/HV4_V6_40999827
 13-11-2023



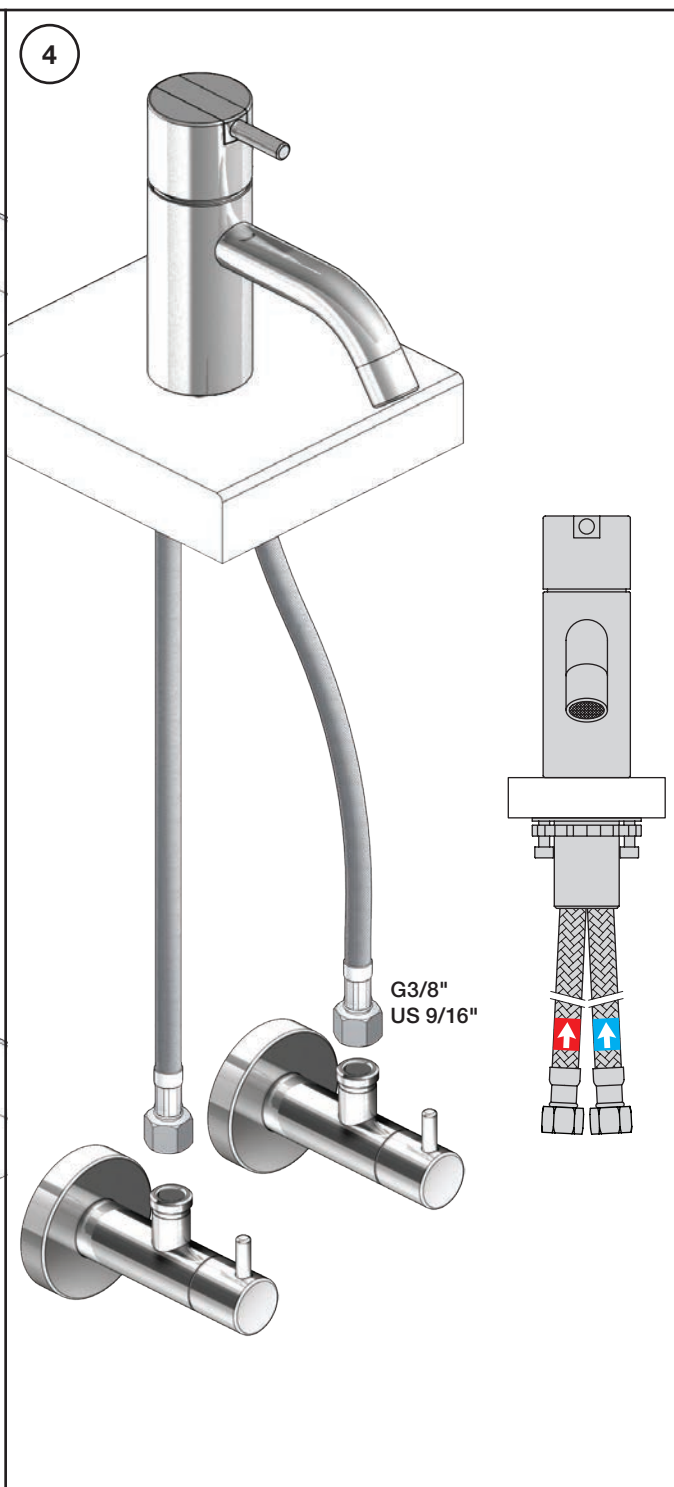
| HV1, HV3 | L | H | h |
|-----------|------------------|-------------------|------------------|
| Std.: | 114 mm 4 1/2" | 120 mm 4 3/4" | 27 mm 1" |
| +30: | 114 mm 4 1/2" | 150 mm 6" | 56 mm 2 1/4" |
| /150: | 150 mm 6" | 120 mm 4 3/4" | 27 mm 1" |
| +30/150: | 150 mm 6" | 150 mm 6" | 56 mm 2 1/4" |
| +170: | 114 mm 4 1/2" | 290 mm 11 1/2" | 197 mm 7 3/4" |
| +170/150: | 150 mm 6" | 290 mm 11 1/2" | 197 mm 7 3/4" |





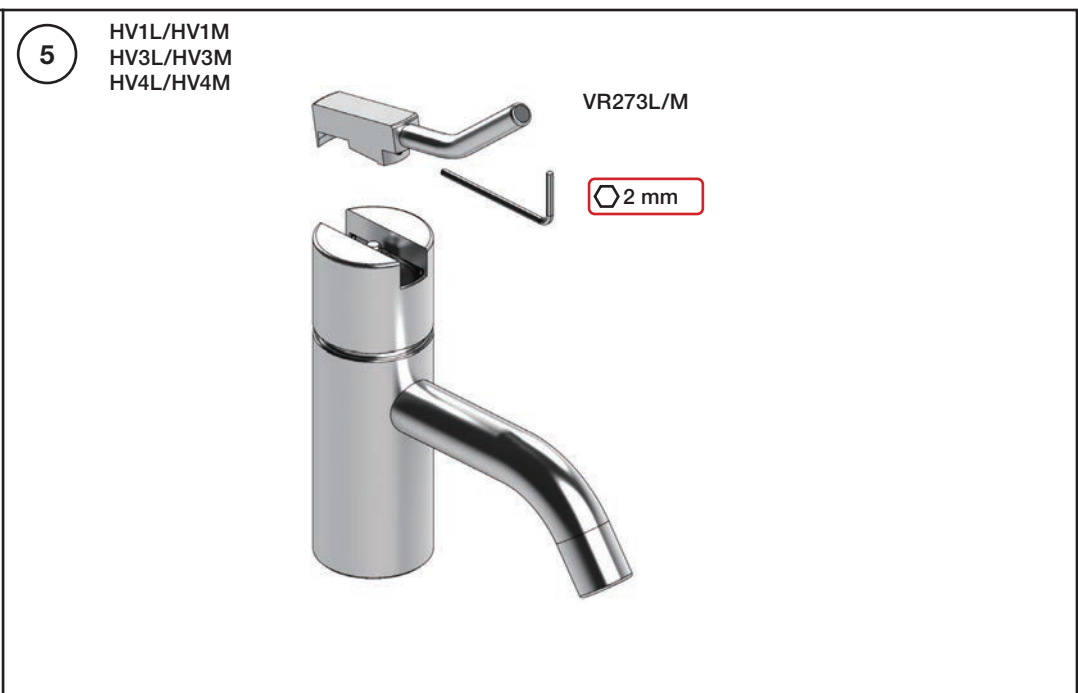
3

4 mm



4

G3/8"
US 9/16"



5

HV1L/HV1M
HV3L/HV3M
HV4L/HV4M

VR273L/M

2 mm

5

Data, 3 Bar/43.5 Psi:

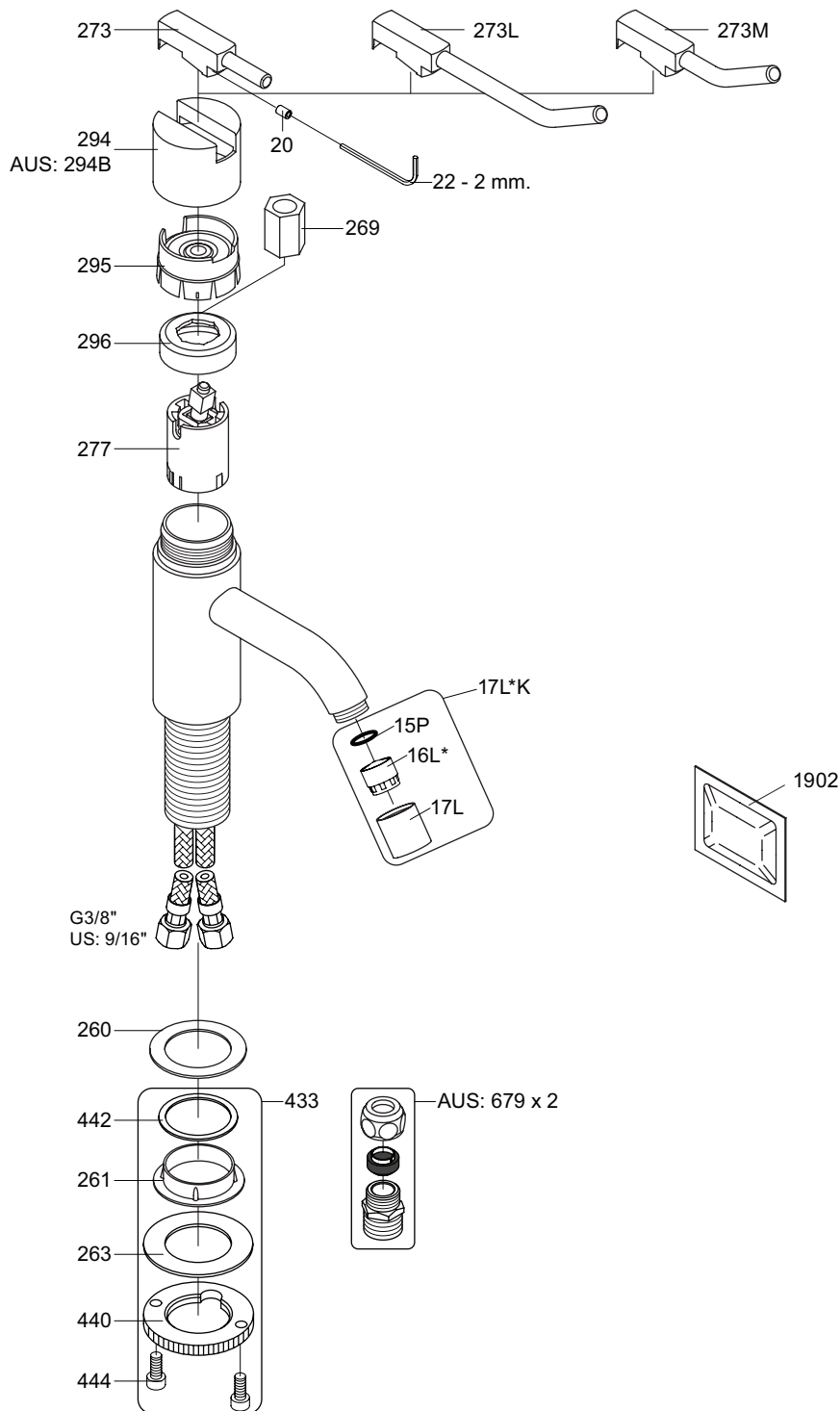
| Max. | l/min. | Gal/min. | Note. |
|--------|--------|----------|----------------|
| HV1/3: | 5.0 | 1.3 | Standard |
| HV1/3: | 4.5 | 1.2 | Standard USA |
| HV1/3: | 9.0 | 1.8 | Standard Japan |
| HV4 | 9,0 | 1.8 | |

Max. 70°C, 158°F

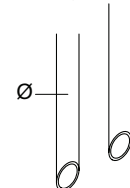
HV1

HV3

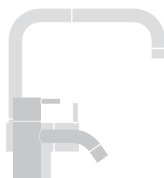
HV4



HV1: Ø10
 HV1JP: Ø10
 HV1US: Ø3/8"
 HV1Q: Ø3/8"



- VR277K: VR22, VR269, VR277
- *VR17L4K: VR15P, VR16L4, VR17L (US-Standard)
- *VR17L5K: VR15P, VR16L5, VR17L (Standard)
- *VR17L9K: VR15P, VR16L9, VR17L (Japan Standard)
- *VR17LSK: VR15P, VR16LS, VR17L
- VR297/L/M: VR20, VR22, VR269, VR273/L/M, VR277, VR294, VR295, VR296
- VR433: VR261, VR263, VR440, VR442, 2xVR444
- NR.10/L/M: VR20, VR22, VR273/L/M, VR294, VR295



vola
 Lunavej 2
 DK-8700 Horsens
 Tlf : + 45 7023 5500
 sales@vola.com
 www.vola.com

HV1 Family:

HV1: 150, +30, +30/150, +170, +170/150
 HV1L: 150, +30, +30/150, +170, +170/150
 HV1M: 150, +30, +30/150, +170, +170/150

Date
 Jan. 23

Rev.
 7

Sheet
SB 21.1