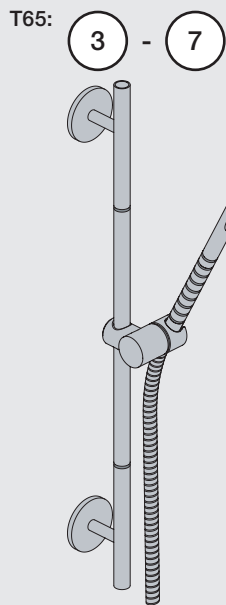
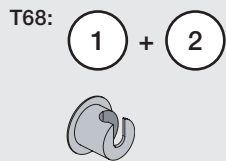
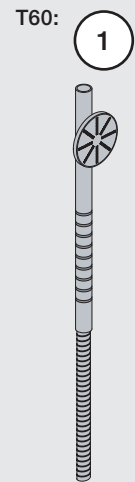


Fitting instruction
 Montageanleitung
 Monteringsvejledning
 Monteringsvægledning
 Montage hanleiding
 Manuel de montage



1 T60

28 mm 1 1/8"

55 mm 2 1/8"

Ø17 mm Ø11/16"

290 mm 11 3/8"

1500 mm 5'

G1/2"

Ø60 mm Ø2 3/8"

Data	Bar:	1	2	3	4	5
T60	(l/min) (Gal/min)	6.9 1.8	9.8 2.6	12 3.2	14 3.7	15 4.1

USA: Max. flow rate:
 1.6 Gal/min
 6.0 l/min.

Max. 65°C. 150°F

Service - VR556

Bathtub Badewanne

Badekar Badkar

Badkuip Baignoire

2

T68

Ø43 mm Ø1 3/4"

40 mm 1 5/8"

Ø6 mm 1/4"

25 mm 1"

001G

SILICONE

T8 → T68

25 mm 1"

50 mm 2"

50 mm 2"

55 mm 2 1/8"

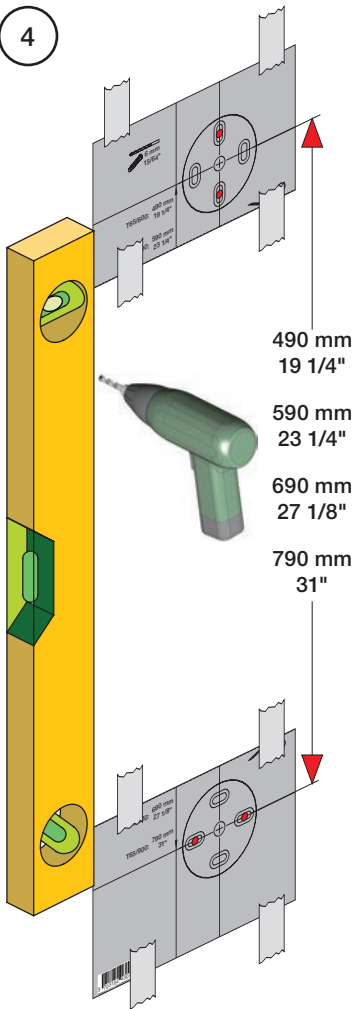
Ø60 mm Ø2 3/8"

3

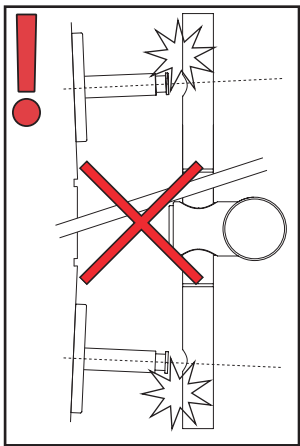
T65

490 mm	19 1/4"
590 mm	23 1/4"
690 mm	27 1/8"
790 mm	31"
800 mm	31 1/2"
900 mm	35 3/8"
600 mm	23 5/8"
700 mm	27 1/2"
800 mm	31 1/2"
900 mm	35 3/8"

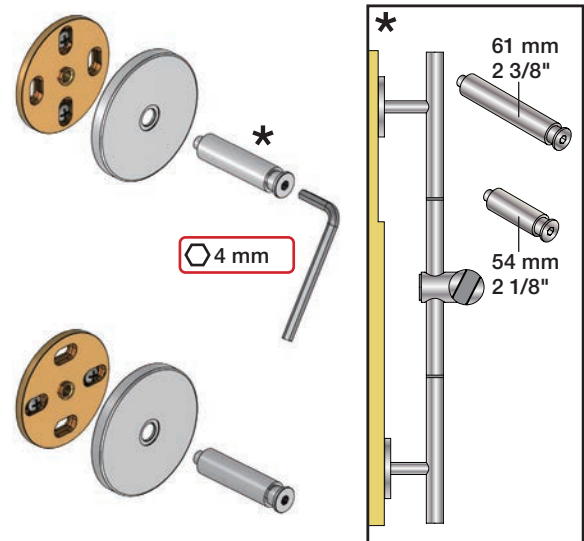
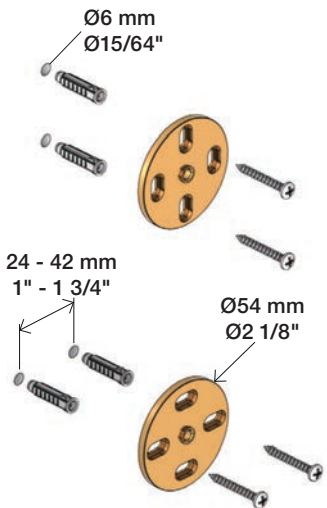
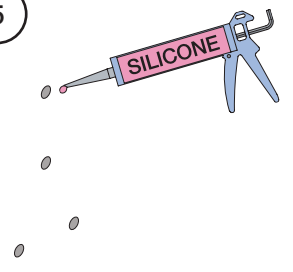
4



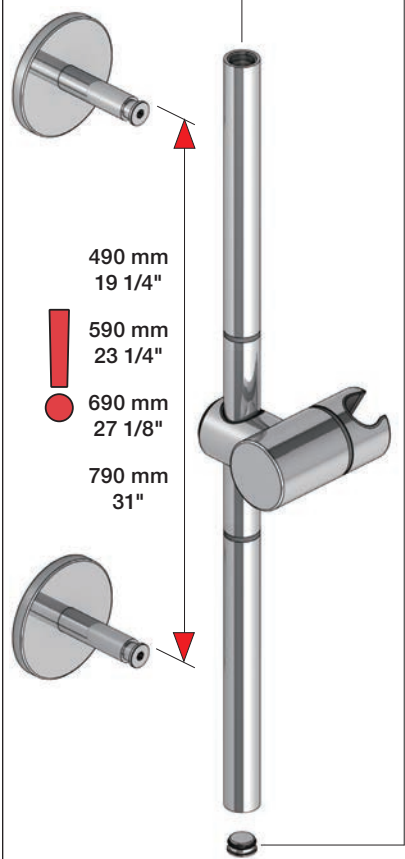
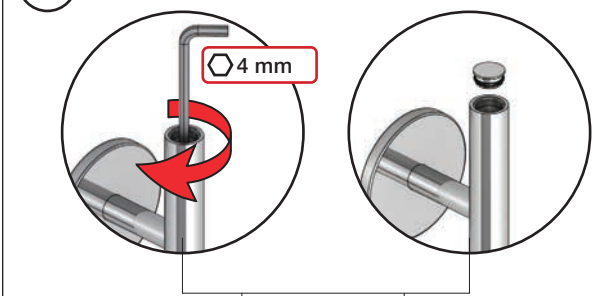
490 mm
19 1/4"
590 mm
23 1/4"
690 mm
27 1/8"
790 mm
31"



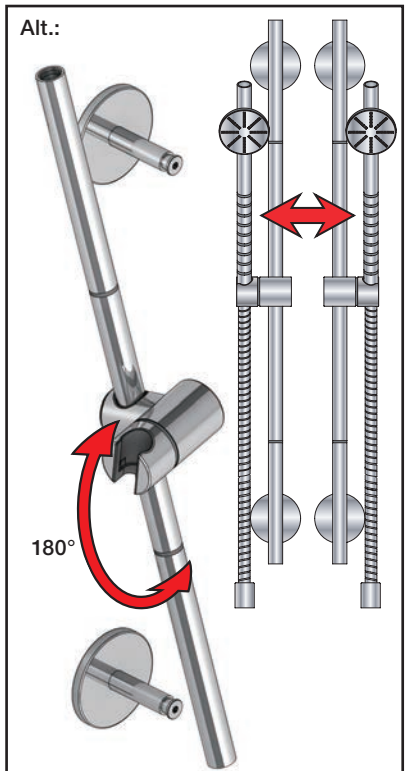
5



6



490 mm
19 1/4"
590 mm
23 1/4"
690 mm
27 1/8"
790 mm
31"

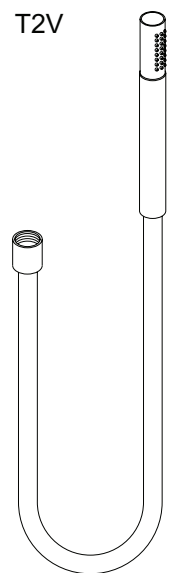
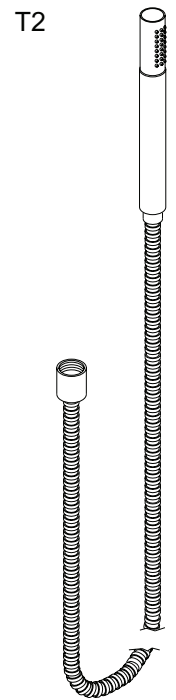
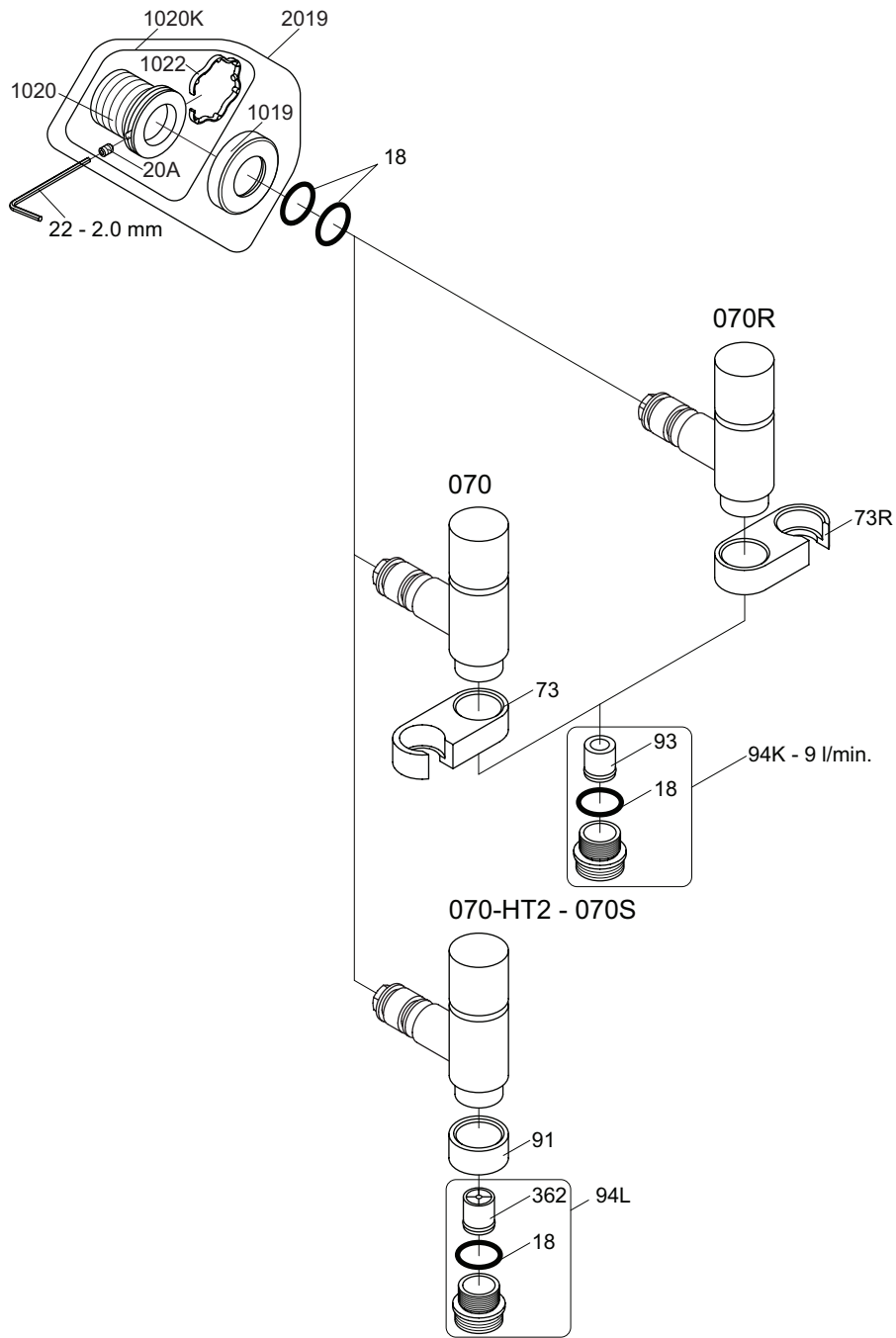


7



8





VR1020K: VR20A, VR22, VR1020, VR1022
 VR2019: VR20A, VR22, VR1019, VR1020, VR1022



vola
 Lunavej 2
 DK-8700 Horsens
 Tlf : + 45 7023 5500
 sales@vola.com
 www.vola.com

VOLA 070, 070R 070-HT2

Date
 Apr. 21

Rev.
 5

Sheet
 SB 16